

CARD READER FLUSH MOUNT

The Card Reader is designed as a flush mount MIFARE reader for applications such as access control and time registration.

It supports transponders according to the ISO14443 - A standard.

The Card Reader can be used in online and offline operation. In absence of the Ethernet connection, the reader will automatically switch to offline mode.

Predefined TAGS (up to 100 pieces) will have access in the offline mode.

Because of the 100/10BASE-T Ethernet interface is the ideal reader for easy integration into an existing LAN environment. The integrated Power over Ethernet ensures an easy and safe installation.

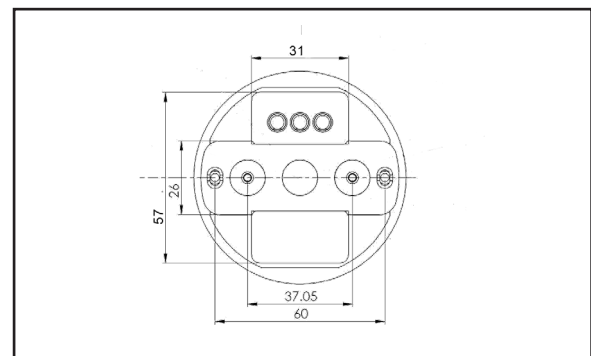
Flush-mounted box must have:

- A minimum space of 57x31 mm in vertical and straight line.
- We recommend using a wall box with a rotating ring.
- Flush-mounted box must be at least 40 mm deep.

All inputs and outputs such as LEDs, buzzer and relay contacts are controlled by the Kadex Pro Server.

Scope of delivery:

- Card Reader Flush Mount
- Ethernet Cable, 3 meter
- Relay Cable, 3 meter



CARD READER FLUSH MOUNT VERSIONS

Article Number	Model
2101022	Card Reader Flush Mount IP20 + 3m Cable
2101092	Card Reader Flush Mount IP67 + Female RJ45
2101092B	Card Reader Flush Mount IP67 + 3m Cat5e Cable

OPTIONS

Article Number	Model
10029A-00	Coverplate 50x50 mm White
10029A-01	Coverplate 50x50 mm Off-White
10029A11	Coverplate 50x50 mm Black
10029B-00	High Coverplate 50x50 mm White
10029B-01	High Coverplate 50x50 mm Off-White
219905011	Aluminium Cover Set - Flush Mount
219906011	Aluminium Cover Set - Surface Mount

TECHNICAL DATA

Measurements	71 x 71 x 35.5 mm	Temperature	
Housing	PC /ABS	Operational	-20 °C up to 40 °C
Color	White, Off-White, Black	Storage	-40 °C up to 70 °C
Weight	50 Gram	Relative Air Humidity	90% at 25 °C
Protection Class	IP 40, optional IP 67	Standard Conformity	
Operating Frequency	13.56 MHz	Radio Approval	EN300 220-1
RF Transmitting Power	100 µW	EMC - R&TTE	EN301 489-3
Voltage	Power over Ethernet (PoE) IEEE802.3af (44-54V DC)	Safety	EN 60950-1
Usage	<1W	Environment	RoHS / WEEE
Antenna	Integrated		
Interface	Ethernet 10BASE-T (UDP-based)		
LED	RGB		
Buzzer	Integrated		
Relais	No/Nc, 3A		