

CARD READER SURFACE MOUNT

The Card Reader is designed as a surface mount MIFARE reader for applications such as access control.

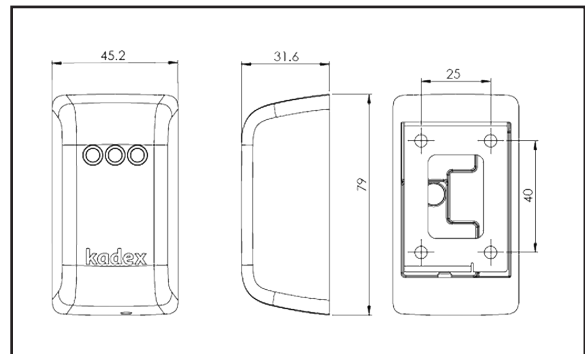
It supports transponders according to the ISO14443 - A standard.

The Card Reader can be used in online and offline operation. In absence of the Ethernet connection, the reader will automatically switch to offline mode. Predefined TAGS (up to 100 pieces) will have access in the offline mode.

Because of the 100/10BASE-T Ethernet interface is the ideal reader for easy integration into an existing LAN environment. The integrated Power over Ethernet ensures an easy and safe installation.

All inputs and outputs such as LEDs , buzzer and relay contacts are controlled by the Kadex Pro server.

Scope of delivery:
 - Card Reader Surface Mount
 - Ethernet cable, 3 meter
 - Relay cable, 3 meter



CARD READER SURFACE MOUNT VERSIONS

Article Number	Model
210104203	Card Reader Surface Mount Black
210104200	Card Reader Surface Mount White

TECHNICAL DATA

Afmetingen	79 x 45.2 x 31.6 mm	Temperature	
Housing	PC /ABS	Operational	-20 °C up to 70 °C
Color	Black/White	Storage	-40 °C up to 80 °C
Weight	60 Gram	Relative Air Humidity	95% at 25 °C
Protection Class	IP 40	Standard Conformity	
Operating Frequency	13.56 MHz	Radio Approval	EN300 220-1
RF Transmitting Power	100 µW	EMC - R&TTE	EN301 489-3
Voltage	Power over Ethernet (PoE) IEEE802.3af (44-54V DC)	Safety	EN 60950-1
Usage	<1W	Environment	RoHS / WEEE
Antenna	Integrated		
Interface	Ethernet 10BASE-T (UDP-based)		
LED	RGB		
Buzzer	Integrated		
Relais	No/Nc, 3A		

Kadex remains the right to adjust the specification at any time without further announcements.