

Card Reader - Flush mount

The **Kadex®** Card Reader is designed as a flush mount MIFARE reader for applications such as access control and time registration.

It supports transponders according to the ISO14443 - A standard.

The Card Reader can be used in online and offline operation. In absence of the Ethernet connection, the reader will automatically switch to offline mode. Predefined TAGS (up to 100 pieces) will have access in the offline mode.

Because of the 100/10BASE-T Ethernet interface is the ideal reader for easy integration into an existing LAN environment. The integrated Power over Ethernet ensures an easy and safe installation.

Flush-mounted box must have:

- A minimum space of 57x31 mm in vertical and straight line.
- We recommend using a wall box with a rotating ring.
- Flush-mounted box must be at least 40 mm deep.

All inputs and outputs such as LEDs, buzzer and relay contacts are controlled by the Kadex Pro Server.

Software updates and upgrades can be installed remotely (FOTA) from the Kadex Pro Server. The Kadex Pro Server automatically checks the product for correct operation.

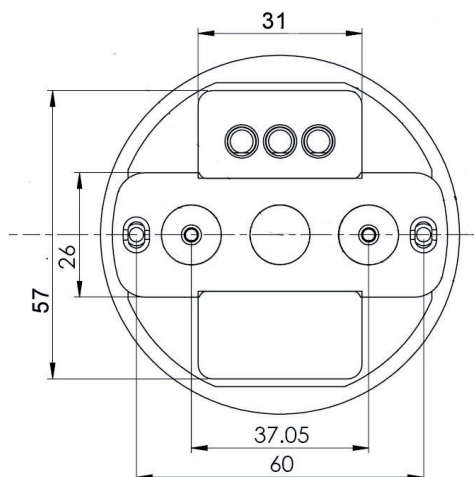


VARIATIONS

Card Reader Flush Mount + Female RJ45	2101092
Card Reader Flush Mount + Cat5e cable	2101092B
Card Reader Flush Mount + 3m Cable*	2101022

ACCESSORIES

Coverplate 50x50 mm - white	10029A-00
Coverplate 50x50 mm - off-white	10029A-01
Coverplate 50x50 mm - black	10029A-11
Coverplate High 50x50mm - white	10029B-00
Coverplate High 50x50mm Frame - off-white	10029B-01
Aluminium Cover Set - Flush Mount	219905011
Aluminium Cover Set -Surface Mount	219906011



General Information

Housing	PC/ABS
Colour	White, off-white, black
Weight	210 gram
Protection class	IP 20, IP65 on request
Operation Frequency	13.56 MHz
Power supply	Power over Ethernet (PoE) IEEE802.3af (44-54V DC)
Current consumption	<1W
Supported tags	Mifare classic, ultralight, 1k, 4k
Antenna	Integrated
Installation wire diameter	2.5 mm ²
Feedback	Buzzer, RGB LED
Measurements	See drawing
Temperature range	
Operation	-10 °C up to 40 °C
Storage	-20 °C up to 70 °C
Relative air humidity	90% at 25 °C
Relative air humidity	90% at 25 °C

CE conformity according to directive 2014/53/EU (RED)

Radio	EN 302 291-2 V1.1.1
EMC	EN 301 489-3:V1.4.1
Safety	EN 62368-1:2014 + A11:2017
Environment	RoHS 2011/65/EU

* Valid for item

Scope of delivery:
- Card Reader Flush Mount