

The Trackable Input is a 3-channel alarm transmitter based on 868MHz and has a Bluetooth low energy radio.

Specific applications are:

- Alarm (covering building)
- Indoor location determination
- Wander detection / living circles
- Domotics controls

The Trackable Input works on a battery and communicates completely wirelessly, making it easy to install.

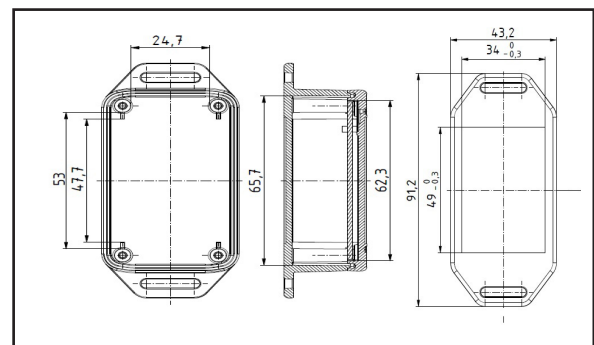
The 3 contact inputs must be linked to external push buttons and / or contacts.

- Input 1, Normally open, adjustable switch-on delay 0 to 3.5 seconds
- Input 2, Normally open, adjustable switch-on delay 0 to 3.5 seconds
- Input 3, Normally closed

From the Kadex Pro Server, the product is automatically checked for battery voltage, signal strength and proper functioning.

Scope of delivery:

- Trackable Input



TRACKABLE INPUT VERSIONS

Article Number	Model
219960110	Trackable Input

TECHNICAL DATA

Housing	ABS
Color	Black
Protection Class	IP 67
Operating Frequency	868 MHz, 2,4 GHz (BLE)
RF Transmitting Power	Max. 13 dBi (20mW)
Voltage	Battery (LS14500, AA), 3,6Vdc
Usage	Depends on functionality
Antenna	Integrated

Temperature	
Operational	-10 °C up to 40 °C
Storage	-20 °C up to 70 °C
Relative Air Humidity	90% at 25 °C
Standard Conformity	
Radio Approval	EN300 220-1
EMC - R&TTE	EN301 489-3
Safety	EN 60950-1
Environment	RoHS / WEEE